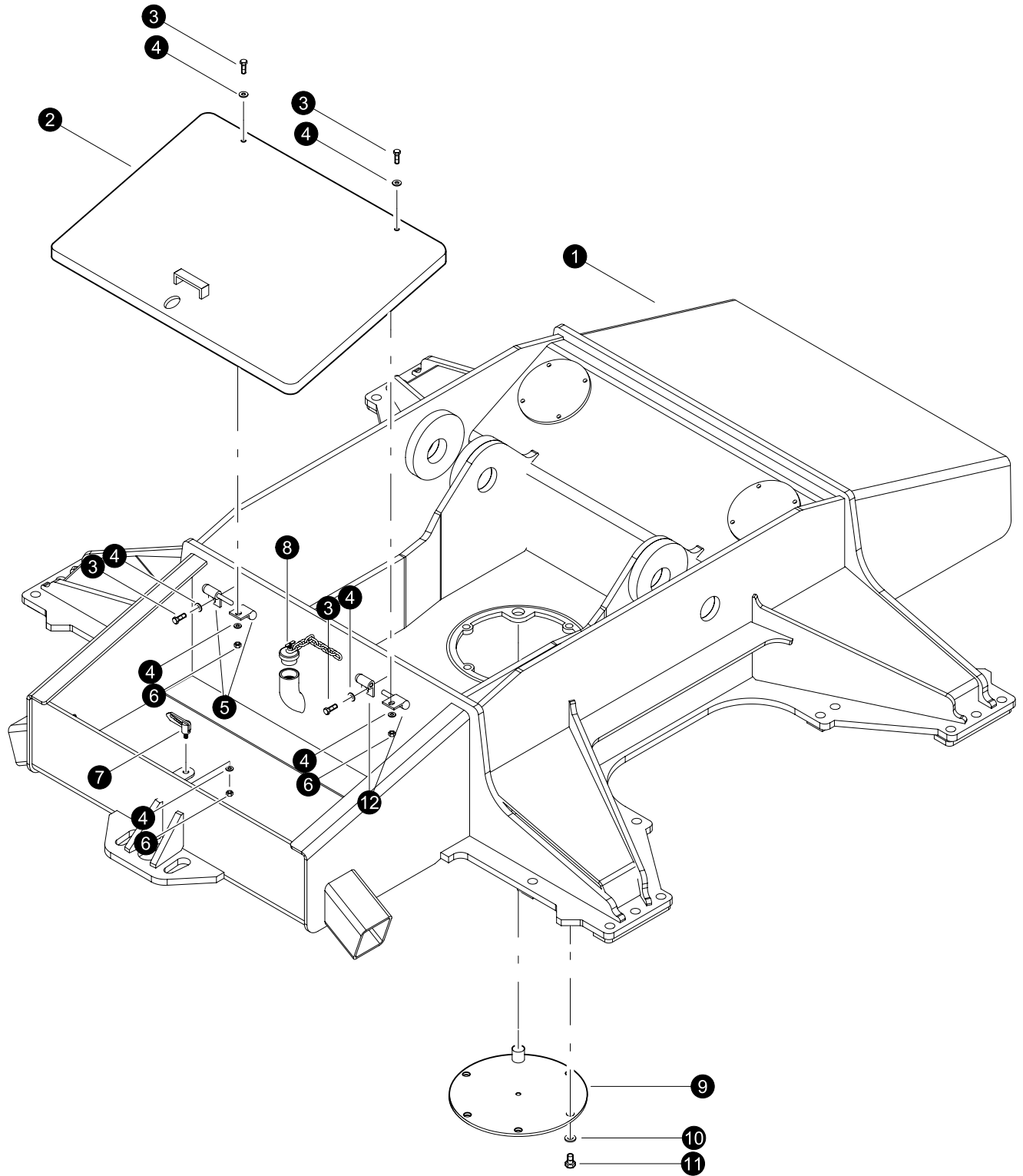


Section LV-1

Leveling Track Frame - Frame and Covers

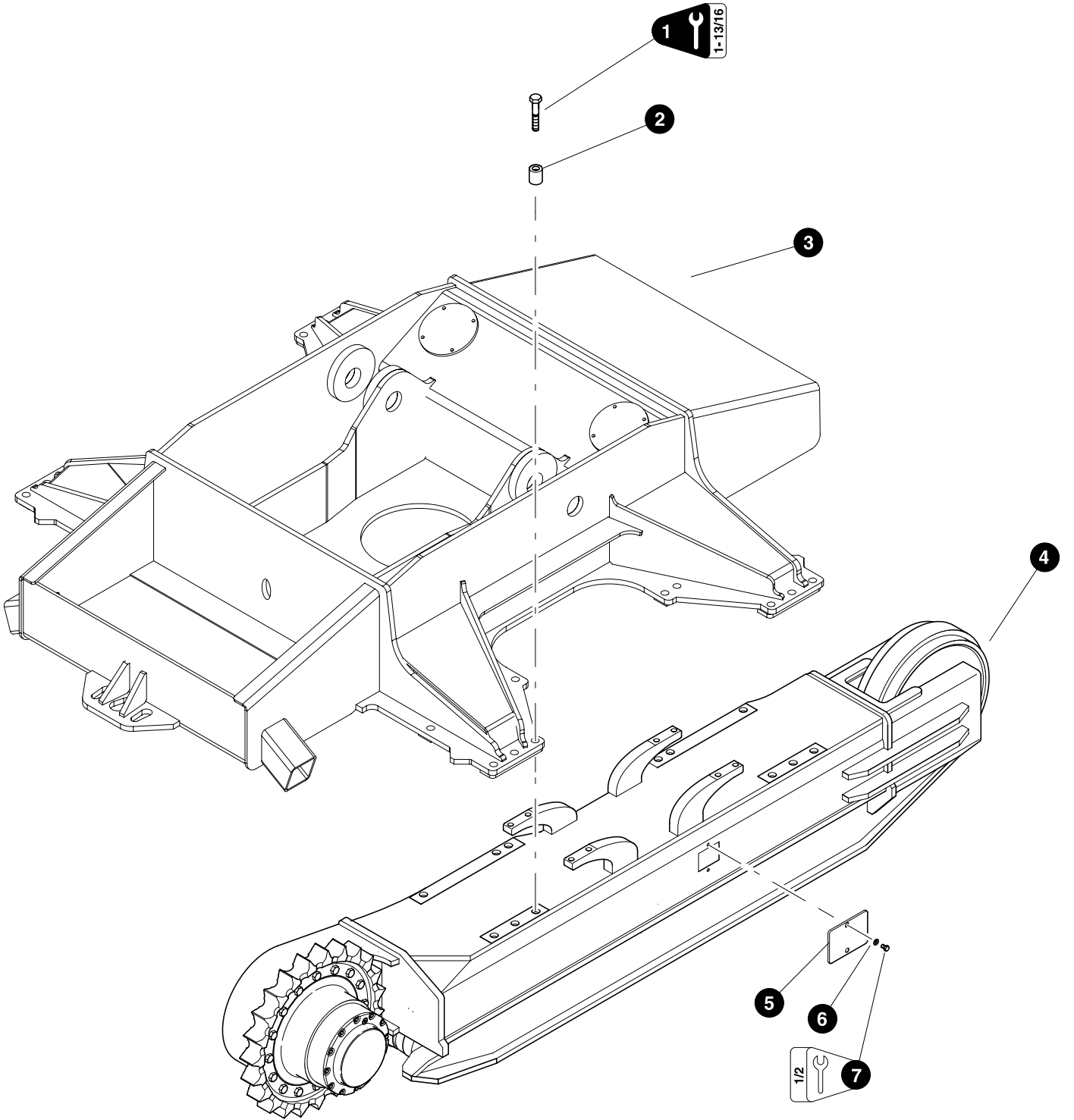


Parts T3671 0808
9,375

Frame and Covers (General)



REF	PART #	QTY	DESCRIPTION	SEE SECTION
1	52553-LV	1	CARBODY, TRACK MACHINE - LEVELING	
2	53227-LV	2	LID, TRUNK LEVELING (machine TL725B-0008082808 and Before)	
-	53228-LV	2	LID, TRUNK LEVELING (after machine TL725B-0008082808 to Current)	
3	10783-LV	4	BOLT - 1/2" x 1"	
4	15534-LV	7	WASHER, SAE flat - 1/2"	
5	53671-LV	1	HINGE, ASSEMBLY-LEV T/M TRUNK L.H.	
6	10815-LV	3	NUT, LOCK - .5"	
7	51883-LV	1	LATCH, CAM - 1.5" FRONT DOOR 630/830	
8	53728-LV	1	CAP, EXPANDABLE - AUX OIL TANK (TRACK)	
9	43285-LV	1	PLATE, COVER BOTTOM (following parts listed below need to fitted and welded after installtion)	
-	43290-LV	1	SHAFT, COVER PIVOT	
-	12021-LV	1	WASHER, PIVOT STOP	
10	15502-LV	5	BOLT - .625" X 1.5"	
11	10771-LV	5	WASHER, SAE FLAT - .625"	
12	53230-LV	1	HINGE, ASSEMBLY-LEV T/M TRUNK RH	

Kit or Assembly - includes all items indented underneath.



Parts T3671 0808
9.375

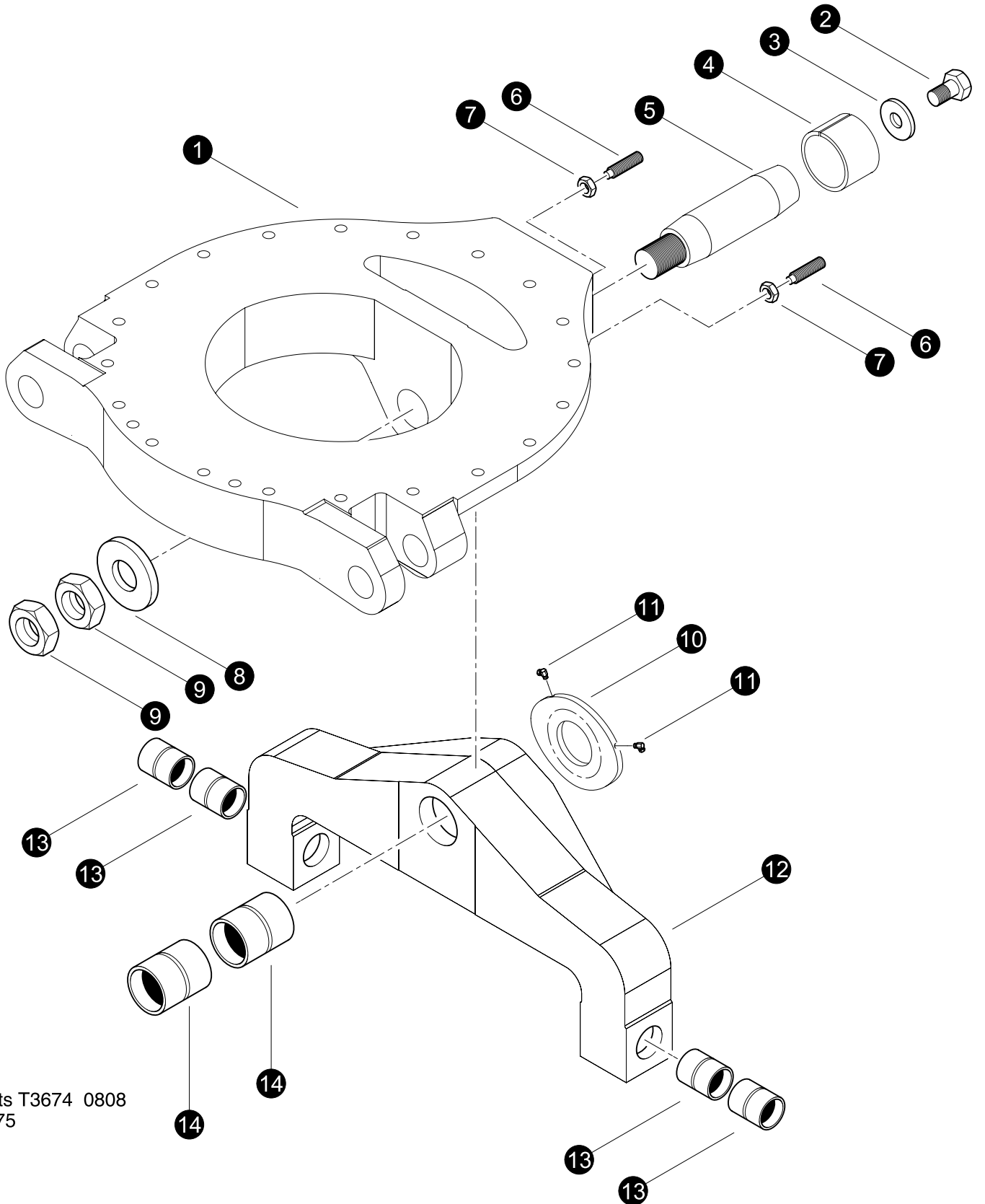
Frame Installation

REF	PART #	QTY	DESCRIPTION	SEE SECTION
1	53139-LV	24	BOLT - 30MM-3.5 X 140MM 12.9 (Torque to 1000 ft lbs - 1355 Nm)	
2	12464-LV	24	SPACER, BOLT - CARBODY	
3	REF.	1	 FRONT FRAME WELDMENT.	LV-1
4	REF.	1	 TRACK FRAME ASSEMBLY	TS
5	187-8496	2	COVER, Track Frame - 725	
5	272-5539	2	COVER, Track Frame - 735	
6	15534-LV	4	WASHER, SAE FLAT - .5"	
7	15551-LV	4	BOLT - 12MM-1.75P X 40MM	

 See referenced page for component or assembly breakdown.

Section LV-2

Leveling Track Frame - Leveling Components

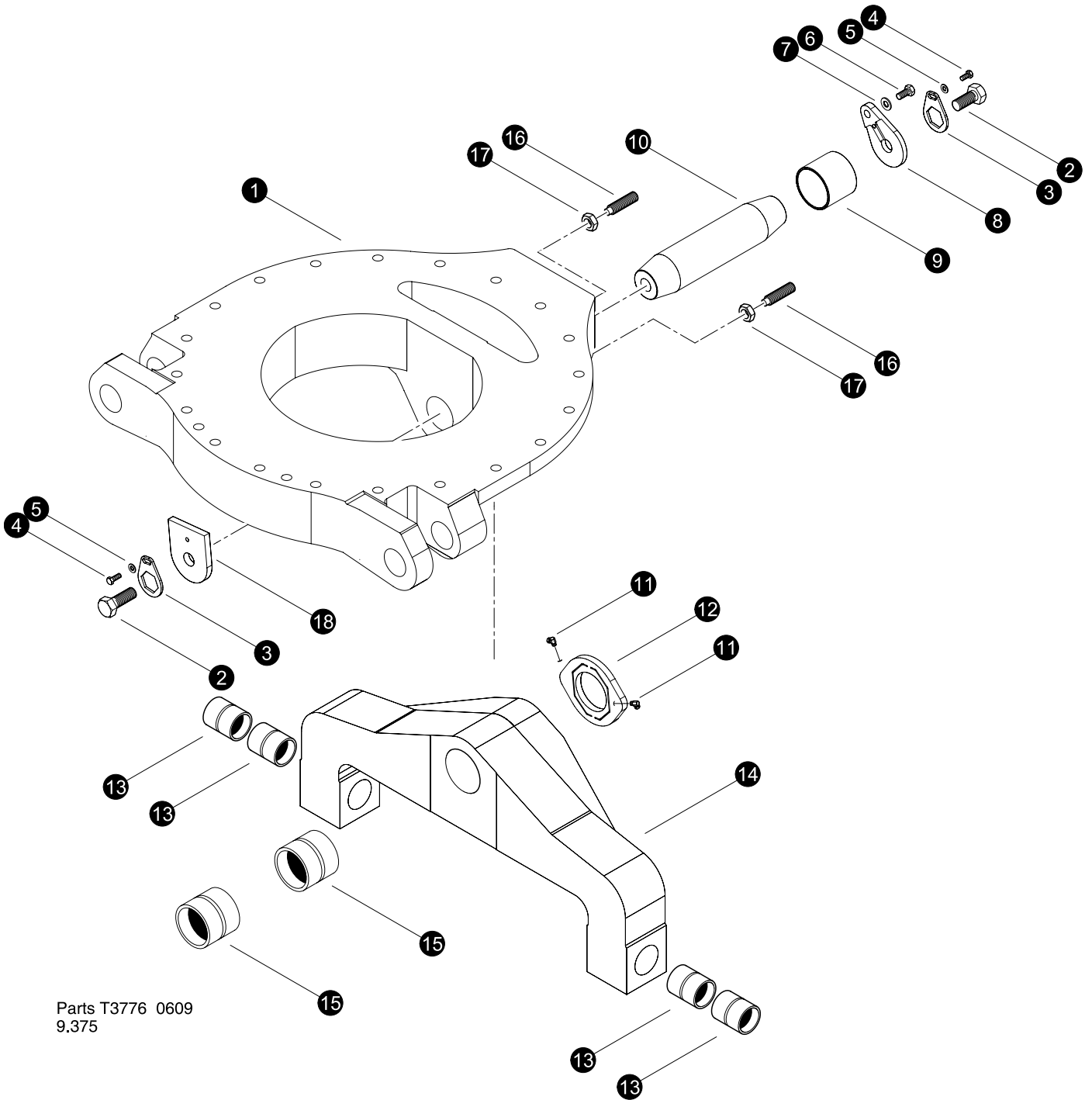


Parts T3674 0808
9.375

Leveling Components (General)

"Old Style Discontinued"				
REF	PART #	QTY	DESCRIPTION	SEE SECTION
1	52510-LV	1	CASTING, MACHINED LOWER TURNTABLE	
2	53104-LV	1	BOLT - 1.5-6NC" X 3"	
3	19613-LV	1	WASHER, SAE FLAT - 1.5" (EXTRA THICK)	
4	52559-LV	1	HUB, TAPER - 4.50"x 10 DEG	
5	52562-LV	1	PIN - 4.5" X 19.38" DBL TAPERED TLVD.	
6	53714-LV	2	SCREW, SET - 1" X 4.38" CHAMFERED END	
7	15671-LV	2	NUT, JAM - 1"	
8	19384-LV	1	WASHER, BURNED - 2.12" ID X 6" OD X .5"	
9	10791-LV	2	NUT, JAM - 2"-12NF -	
10	52589-LV	1	PLATE, SLACK ADJUSTMENT FRONT	
11	15657-LV	2	ELBOW, 90 SWIVEL - 1501-2-2	
12	52513-LV	1	<input type="checkbox"/> LEVELER, INTERMEDIATE SECTION	
13	52522-LV	4	BUSHING - 3.75" X 3.25" X 3.0"	
14	52523-LV	2	BUSHING - 5.0" X 4.5" X 4.25"	

Kit or Assembly - includes all items indented underneath.



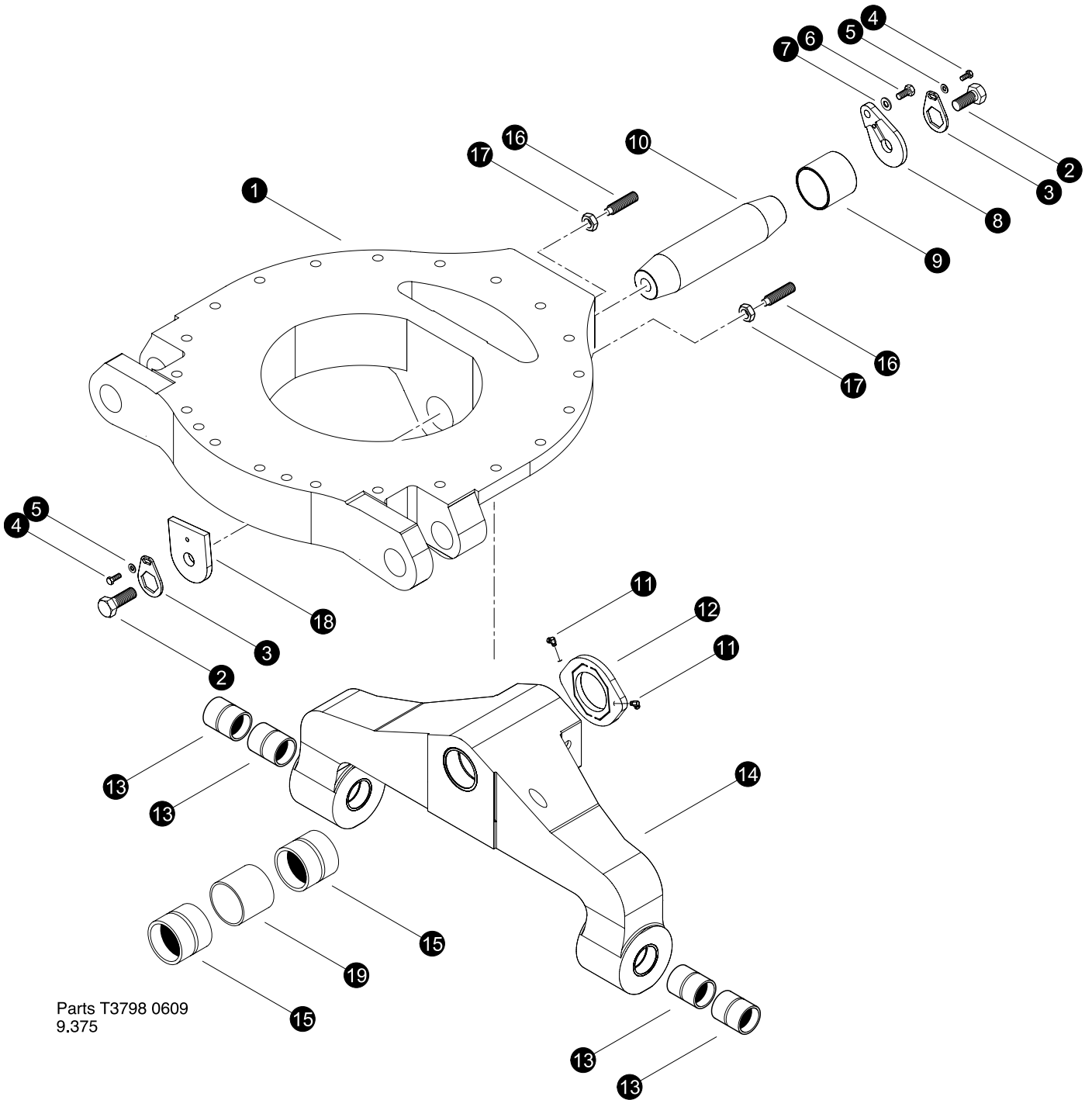
Parts T3776 0609
9.375

Leveling Components (General)

Machine 725B-0028-080709 and Before

REF	PART #	QTY	DESCRIPTION	SEE SECTION
1	52510-LV	1	CASTING, MACHINED LOWER TURNTABLE	
2	53104-LV	2	BOLT - 1.5-6NC" X 3"	
3	43740-LV	2	PIN LOCK, 2.25 HEX	
4	10783-LV	2	BOLT - .5" X 1"	
5	15534-LV	2	WASHER, SAE FLAT - .5"	
6	10839-LV	1	BOLT - .75" X 1.5"	
7	15550-LV	1	WASHER, SAE FLAT - .75"	
8	43742-LV	1	EAR, PIN LOCK BASE	
9	52559-LV	1	HUB, TAPER - 4.50"x 10 DEG	
10	53821-LV	1	PIN - 4.5" X 16.62" DBL TAPERED THD.VOID	
11	15657-LV	2	ELBOW, 90 SWIVEL - 1501-2-2	
12	52589-LV	1	PLATE, SLACK ADJUSTMENT FRONT	
13	52523-LV	4	BUSHING - 5.0" X 4.5" X 4.25"	
14	52513-LV	1	LEVELER, INTERMEDIATE SECTION	
15	52523-LV	2	BUSHING - 5.0" X 4.5" X 4.25"	
16	53714-LV	2	SCREW, SET - 1" X 4.38" CHAMFERED END	
17	15671-LV	2	NUT, JAM - 1"	
18	43741-LV	1	EAR, .75 THICK	

Kit or Assembly - includes all items indented underneath.



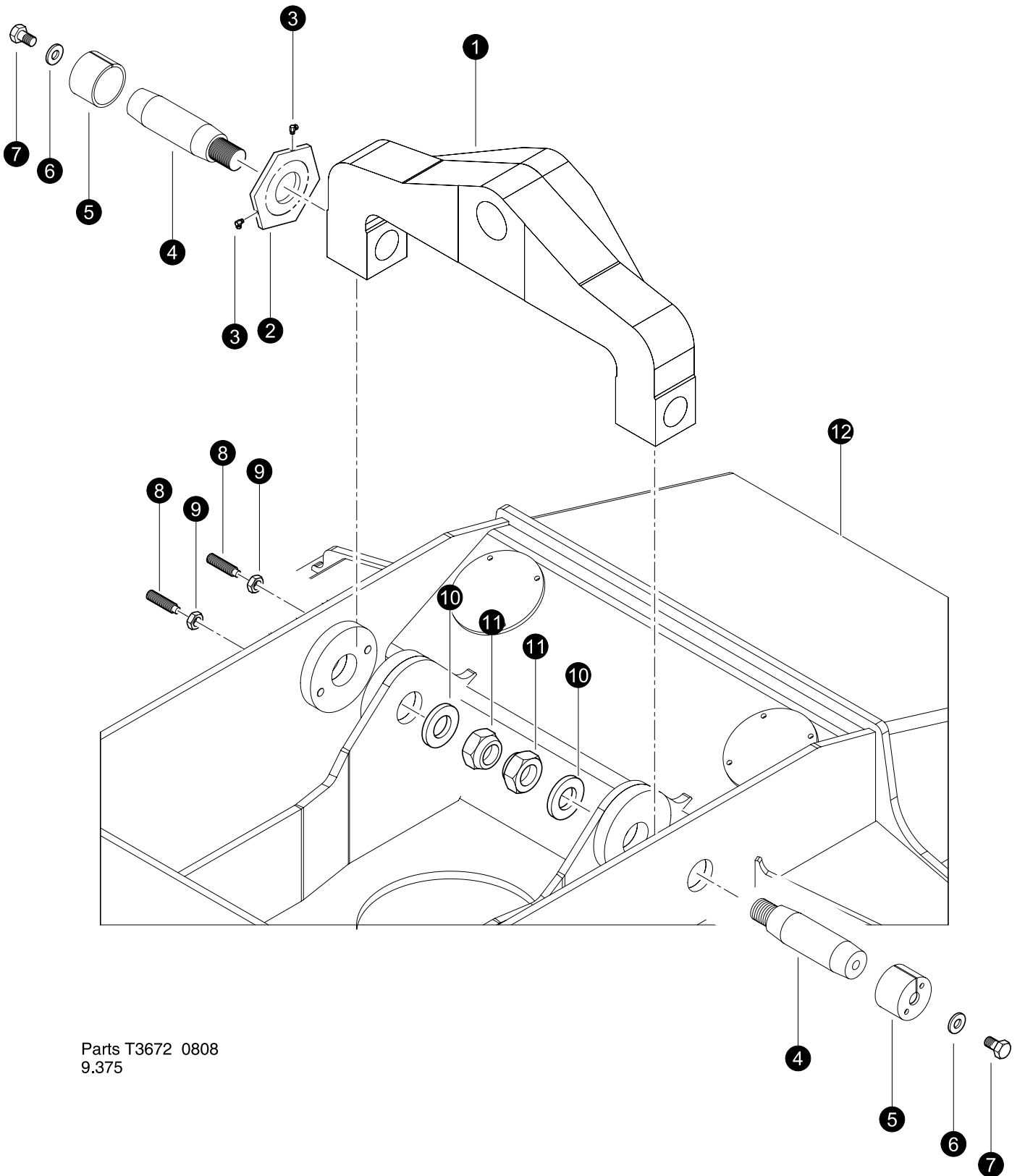
Parts T3798 0609
9,375

Leveling Components (General)

Machine 735B-0029 and After



REF	PART #	QTY	DESCRIPTION	SEE SECTION
1	53861-LV	1	CASTING, MACHINED LOWER TURNTABLE +3	
2	53104-LV	2	BOLT - 1.5-6NC" X 3"	
3	43740-LV	2	PIN LOCK, 2.25 HEX	
4	10783-LV	2	BOLT - .5" X 1"	
5	15534-LV	2	WASHER, SAE FLAT - .5"	
6	10839-LV	1	BOLT - .75" X 1.5"	
7	15550-LV	1	WASHER, SAE FLAT - .75"	
8	43742-LV	1	EAR, PIN LOCK BASE	
9	52559-LV	1	HUB, TAPER - 4.50"x 10 DEG	
10	53853-LV	1	PIN - 4.5" X 19.62" DBL TAPERED THD. +3"	
11	15657-LV	2	ELBOW, 90 SWIVEL - 1501-2-2	
12	52589-LV	1	PLATE, SLACK ADJUSTMENT FRONT	
13	52522-LV	4	BUSHING - 3.75" X 3.25" X 3.0"	
14	53860-LV	1	LEVELER, INTERMEDIATE SECTION +3	
15	52523-LV	2	BUSHING - 5.0" X 4.5" X 4.25"	
16	53714-LV	2	SCREW, SET - 1" X 4.38" CHAMFERED END	
17	15671-LV	2	NUT, JAM - 1"	
18	43741-LV	1	EAR, .75 THICK	
19	54532-LV	1	SPACER,	

Kit or Assembly - includes all items indented underneath.

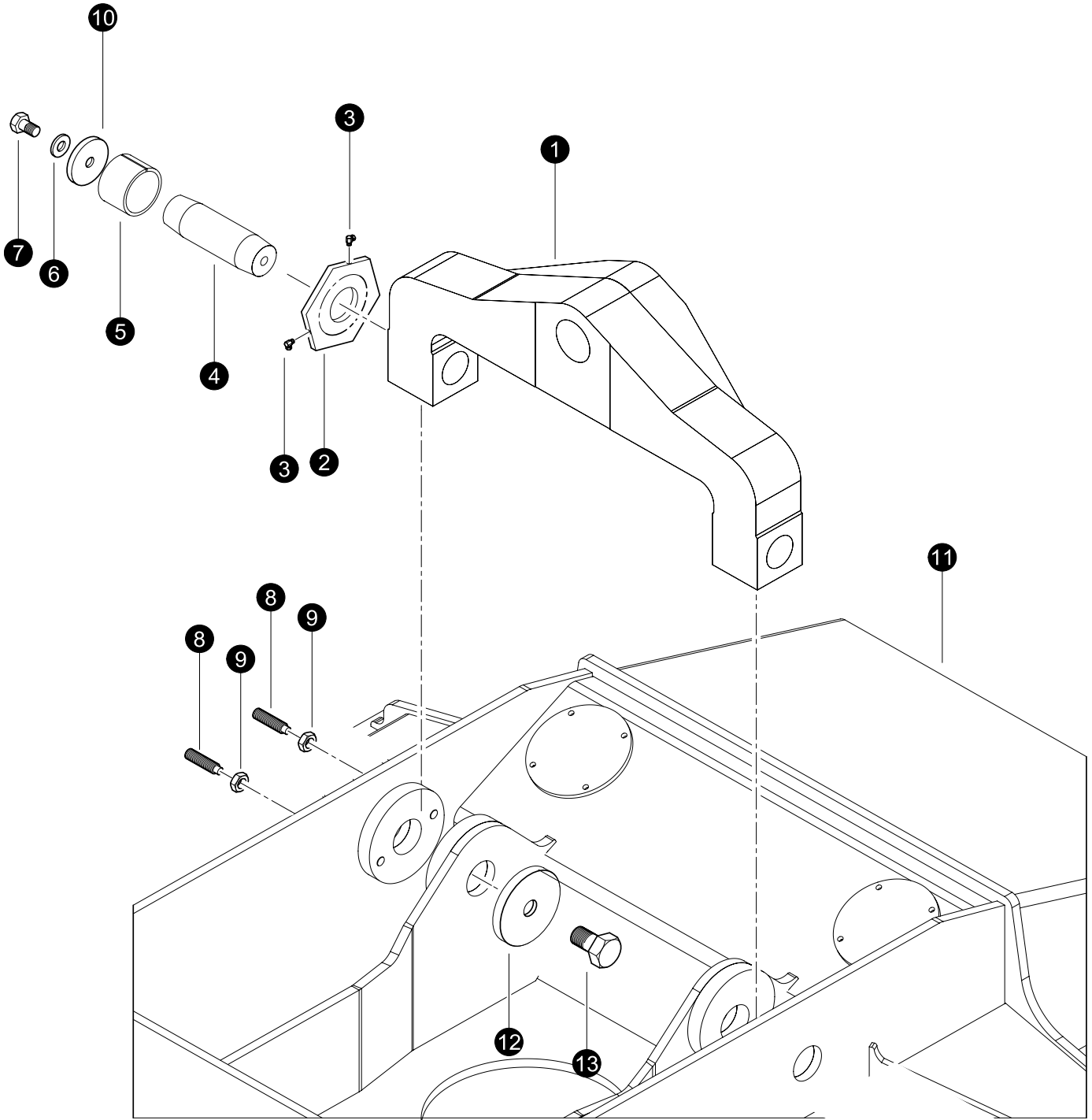


Parts T3672 0808
9.375

Leveling Yoke Installation



REF	PART #	QTY	DESCRIPTION	SEE SECTION
1	REF.	1	 LEVELING YOKE	LV-2
2	52588-LV	1	PLATE, SLACK ADJUSTMENT SIDE	
3	15657-LV	2	ELBOW, 90 SWIVEL - 1501-2-2	
4	52560-LV	2	PIN - 3.25" X 13.63" DBL TAPERED THD	
5	52558-LV	2	HUB, TAPER - 3.25"x 7 DEG	
6	15552-LV	2	BOLT - 1" X 2.5"	
7	52638-LV	2	WASHER, BURNED - 1 1/16" X 3" x 1/2"	
8	53714-LV	2	SCREW, SET - 1" X 4.38" CHAMFERED END	
9	15671-LV	2	NUT, JAM - 1"	
10	12021-LV	2	WASHER, BURNED	
11	10728-LV	1	NUT, NYLOCK - 2" (ZINC PLATED)	
12	REF.	1	 LEVELING TRACK CARBODY	LV-1

 See referenced page for component or assembly breakdown.

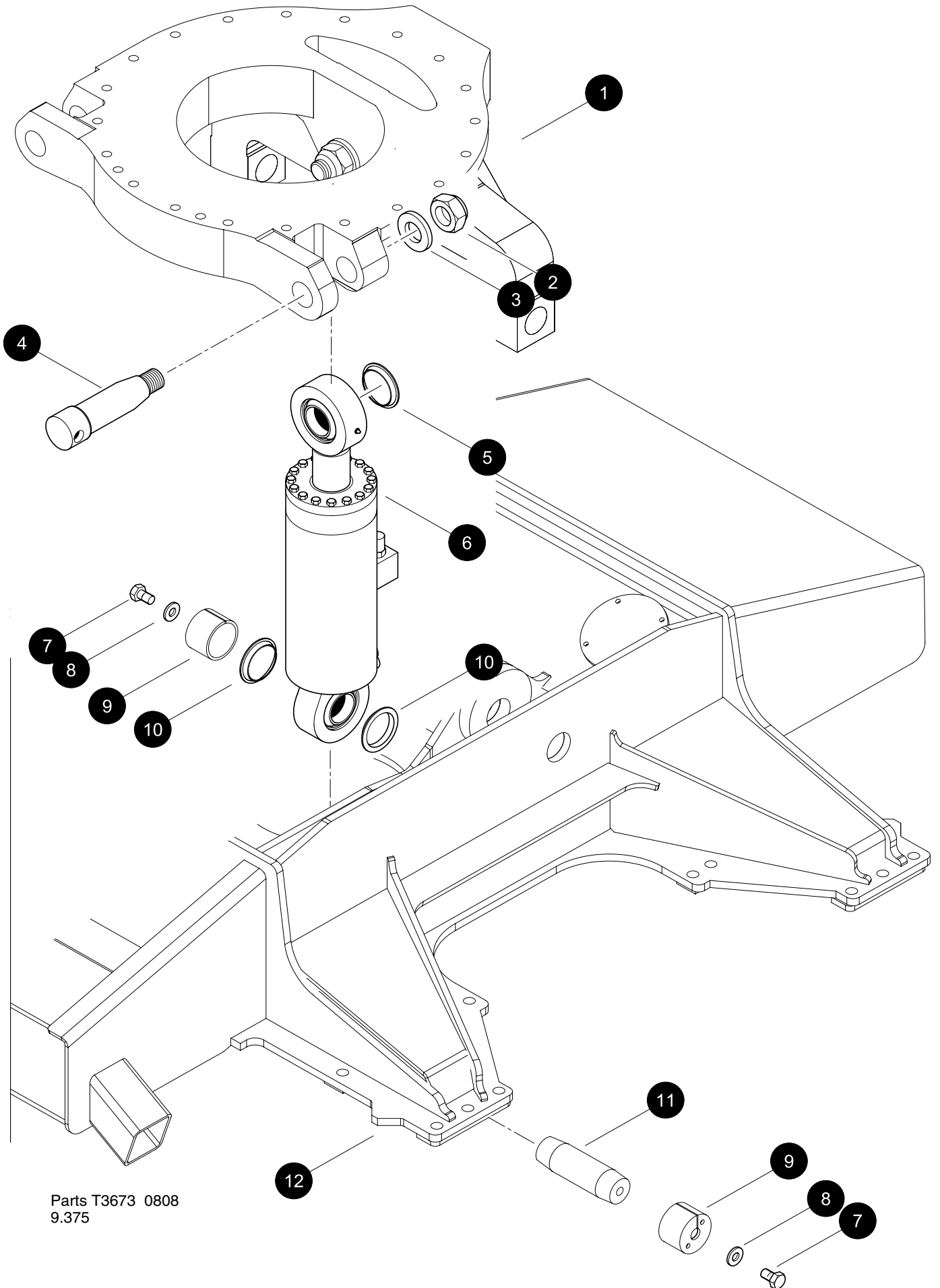


Parts T3896 0512
9.375

Leveling Cylinder Installation




REF	PART #	QTY	DESCRIPTION	SEE SECTION
1	REF.	1	 LEVELING YOKE	LV-2
2	52588-LV	1	PLATE, SLACK ADJUSTMENT SIDE	
3	15657-LV	2	ELBOW, 90 SWIVEL - 1501-2-2	
4	53820-LV	2	PIN - 3.25" X 11.12" DBL TAPERED THD CUR	
5	52558-LV	2	HUB, TAPER - 3.25"x 7 DEG	
6	-LV	2	WASHER, 1"	
7	15552-LV	2	BOLT - 1" X 2.5"	
8	53714-LV	2	SCREW, SET - 1" X 4.38" CHAMFERED END	
9	15671-LV	2	NUT, JAM - 1"	
10	52638-LV	2	WASHER, BURNED - 1 1/16" X 3" x 1/2"	
11	REF.	1	 LEVELING TRACK CARBODY	LV-1
12	53764-LV	1	WASHER, Burned	
13	-15552-LV	2	BOLT - 1" X 2.5"	

 See referenced page for component or assembly breakdown.

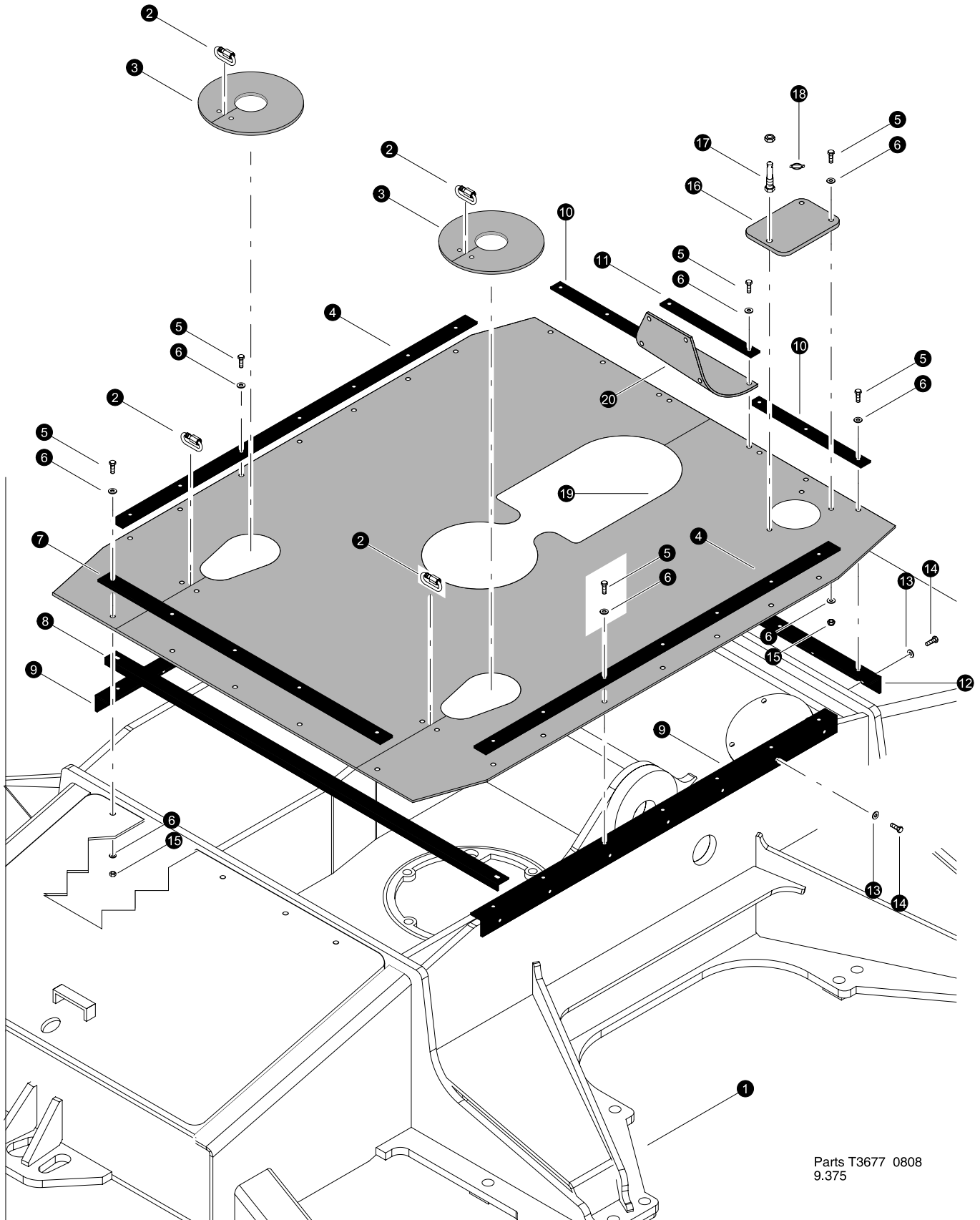


Parts T3673 0808
9.375

Leveling Cylinder Installation


REF	PART #	QTY	DESCRIPTION	SEE SECTION
1	REF.	1	 LOWER TURNTABLE	LV-2
2	10728-LV	2	NUT, nylock - 2"	
3	12021-LV	2	WASHER, burned	
4	52520-LV	2	PIN, PIVOT LEVELING 3.25" X 15.5"	
5	52521-LV	2	SPACER - 3.25" x 1"	
6	REF.	2	 LEVEL CYLINDER	LV-3
7	15552-LV	4	BOLT - 1" X 2.5"	
8	52638-LV	4	WASHER, BURNED - 1 1/16" X 3" x 1/2"	
9	52558-LV	4	HUB, TAPER - 3.25"x 7 DEG	
10	52565-LV	4	SPACER - OD 4.50" x ID 3.25" X .700"	
11	52561-LV	2	PIN - 3.25" X 8.0" DBL TAPERED-CYL BASE	
12	REF.	1	 LEVELING TRACK CARBODY	LV-1

 See referenced page for component or assembly breakdown.



Parts T3677 0808
9.375

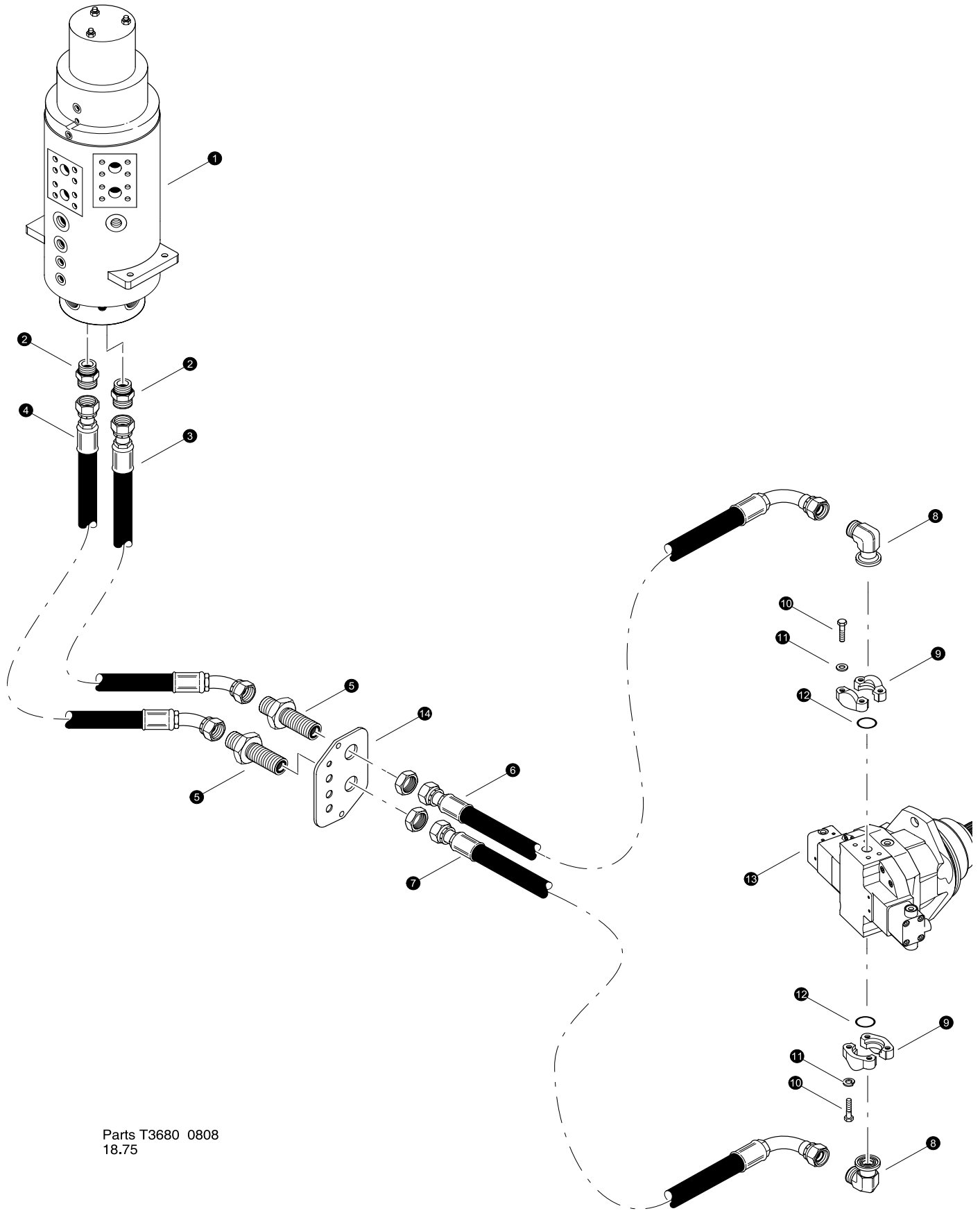
Debris Shield Installation

REF	PART #	QTY	DESCRIPTION	SEE SECTION
1	REF.	1	 FRONT FRAME WELDMNT	LV-1
2	18578-LV		LINK, QUICK - BEARING AREA DEFLECTOR	
3	53663-LV	2	SKIRTING, LEVELING CYLINDER	
4	53235-LV	2	BAR, RETAINER SKIRTING SIDE	
5	15604-LV	31	BOLT - .25" X .75"	
6	10757-LV	40	WASHER, SAE FLAT - .25"	
7	53236-LV	1	BAR, RETAINER SKIRTING REAR	
8	53647-LV	1	ATTACHMENT, SKIRTING TOP REAR	
9	53233-LV	2	ATTACHMENT, SKIRTING SIDE	
10	53234-LV	2	BAR, RETAINER SKIRTING FRONT ENDS	
11	53259-LV	1	BAR, RETAINER SKIRTING FRONT CENTER	
12	53232-LV	1	ATTACHMENT, SKIRTING FRONT	
13	10757-LV	21	WASHER, SAE FLAT - .25"	
14	15604-LV	21	BOLT - .25" X .75"	
15	10811-LV	7	NUT, LOCK - .25"	
16	53662-LV	1	SKIRTING, FUEL FLAP	
17	-LV	1	PIN, Hood Lock	
18	52464-LV	1	PIN, HITCH CLIP - .25	
19	53660-LV	1	SKIRTING, MAIN - FULL LENGTH	
20	53661-LV	1	SKIRTING, FRONT CASTING	

 See referenced page for component or assembly breakdown.


Section LV-3

Leveling Frame - Hydraulics

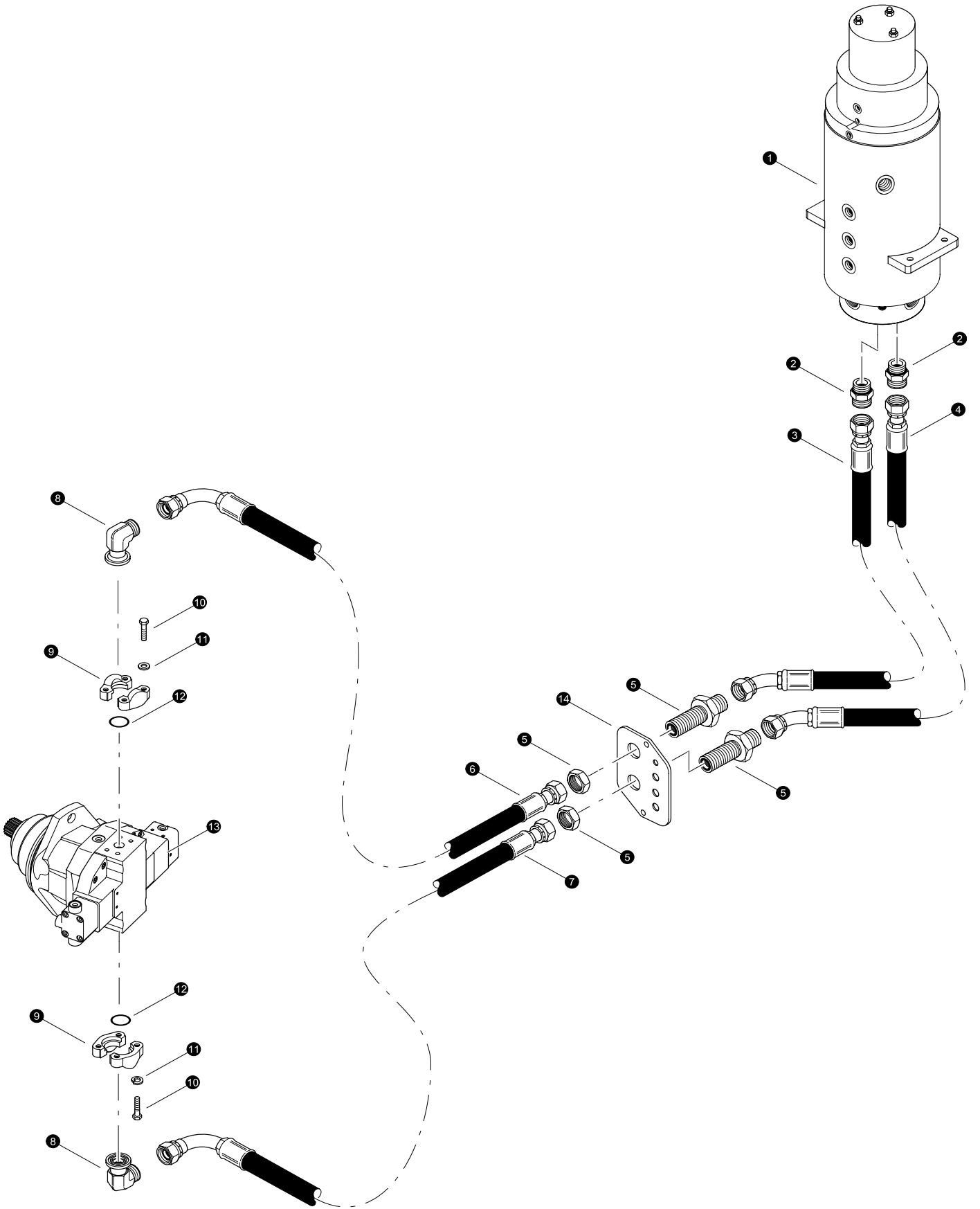


Parts T3680 0808
18.75

RIGHT DRIVE MOTOR LINES (Rotary Manifold to Right Drive Motor)


REF	PART #	QTY	DESCRIPTION	SEE SECTION
1	REF.	1	 ROTORY MANIFOLD.....	UP-1
2	15225-LV	2	CONNECTOR, STR - FF1852T-1616S	
3	-LV	1	HOSE ASSEMBLY - 6054-16-160S-1604 (bulkhead to rotary manifold #11)	
4	-LV	1	HOSE ASSEMBLY - 6054-16-160S-1604 (bulkhead to rotary manifold #9)	
5	20033-LV	2	CONNECTOR, STR BULKHEAD - 16	
6	-LV	1	HOSE ASSEMBLY - 6048.5-16-16JS-1609 (bulkhead plate to drive motor)	
7	-LV	1	HOSE ASSEMBLY - 6054.5-16-16J S-1609 (bulkhead plate to drive motor)	
8	15103-LV	2	ADAPTER, 90 FLANGE - FF5540-1616S	
9	15113-LV	2	KIT, SPLIT FLANGE - 1" (CODE 62)	
10	15551-LV	4	BOLT - 12MM-1.75P X 40MM	
	18735-LV	4	WASHER, FLAT - 12MM	
11	15551-LV	4	BOLT - 12MM-1.75P X 40MM	
12	15377-LV	2	O-RING - 1" SF (CODE 61/62)	
13	REF	1	TRACK DRIVE MOTOR.....	TS
14	53186-LV	1	BULKHEAD, TRACK HOSES R.H.	

 See referenced page for component or assembly breakdown.

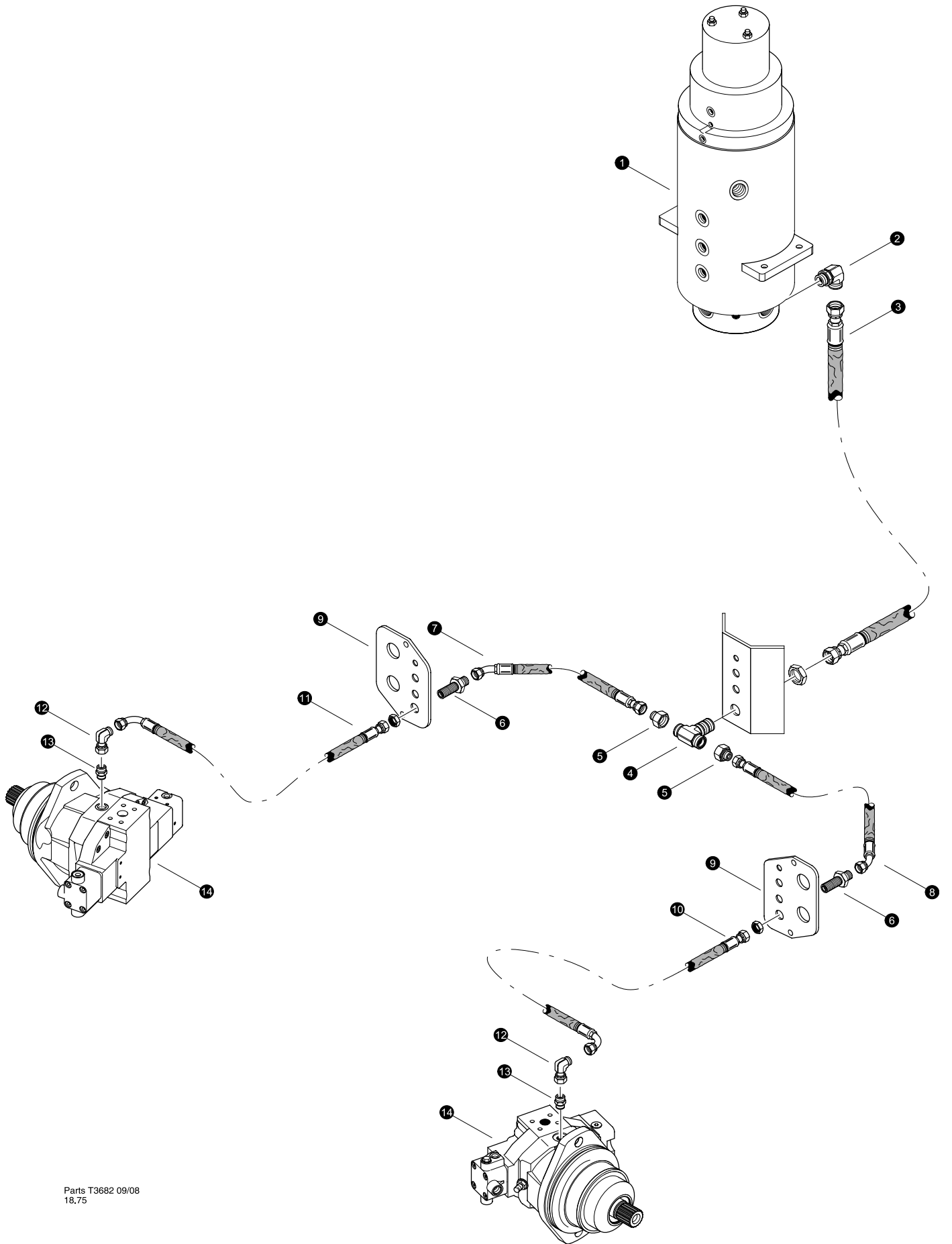


Parts T3681 09/08
18.75

LEFT DRIVE MOTOR LINES (Rotary Manifold to Right Drive Motor)


REF	PART #	QTY	DESCRIPTION	SEE SECTION
1	REF.	1	 ROTORY MANIFOLD.....	UP-1
2	15225-LV	2	CONNECTOR, STR - FF1852T-1616S	
3	-LV	1	HOSE ASSEMBLY - 6056-16-160S-1604 (bulkhead to rotary manifold #12)	
4	-LV	1	HOSE ASSEMBLY - 6051-16-160S-1604 (bulkhead to rotary manifold #10)	
5	20033-LV	2	CONNECTOR, STR BULKHEAD - 16	
6	-LV	1	HOSE ASSEMBLY - 6048.5-16-16JS-1609 (bulkhead plate to drive motor)	
7	-LV	1	HOSE ASSEMBLY - 6054.5-16-16JS-1609 (bulkhead plate to drive motor)	
8	15103-LV	2	ADAPTER, 90 FLANGE - FF5540-1616S	
9	15113-LV	2	KIT, SPLIT FLANGE - 1" (CODE 62)	
10	15551-LV	4	BOLT - 12MM-1.75P X 40MM	
	18735-LV	4	WASHER, FLAT - 12MM	
11	15551-LV	4	BOLT - 12MM-1.75P X 40MM	
12	15377-LV	2	O-RING - 1" SF (CODE 61/62)	
13	REF	1	TRACK DRIVE MOTOR.....	TS
14	53186-LV	1	BULKHEAD, TRACK HOSES R.H.	


 See referenced page for component or assembly breakdown.

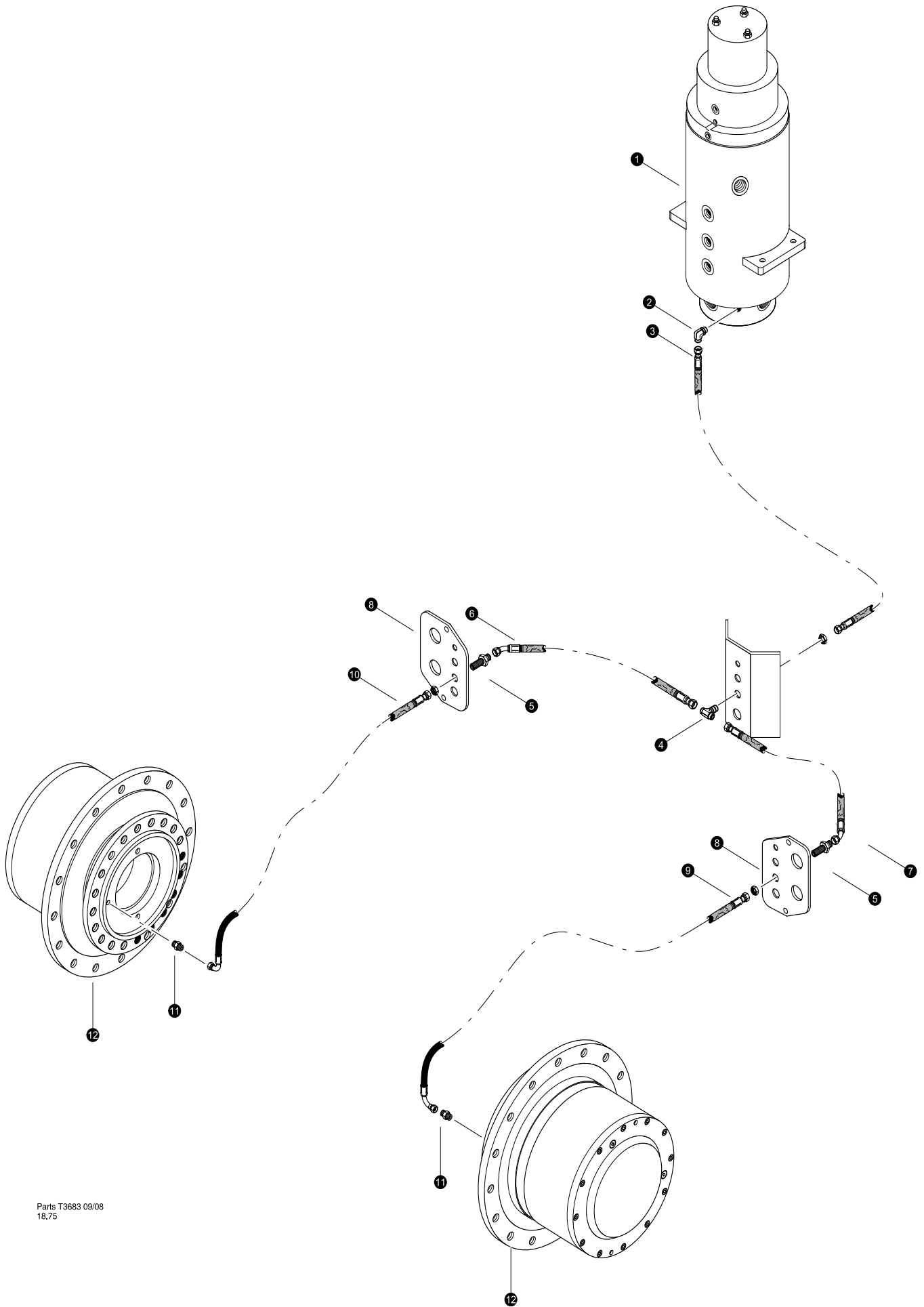


Parts T3682 09/08
18,75

MOTOR CASE DRAIN
(Rotary Manifold to Drive Motor Case Drains)


REF	PART #	QTY	DESCRIPTION	SEE SECTION
1	REF.	1	 ROTORY MANIFOLD	UP-1
2	17688-LV	1	ELBOW, 90 - FF1868T-1212S	
3	-LV	1	HOSE ASSEMBLY - 2048-12-120S-120S-W (bulkhead tee to rotary manifold port V1)	
4	22716-LV	1	TEE, BULKHEAD - 2703-12 (BRANCH)	
5	18581-LV	2	CONNECTOR, REDUCER - ORS FF2281T-0812S	
6	20196-LV	2	CONNECTOR, STR BULKHEAD - FF1994T-0808S	
7	-LV	1	HOSE ASSEMBLY - 2018.5-08-080S-0804-W (bulkhead tee to bulkhead)	
8	-LV		HOSE ASSEMBLY - 2018.5-08-080S-0804-W (bulkhead tee to bulkhead)	
9	REF		BULKHEAD PLATE	LV-3
10	-LV	1	HOSE ASSEMBLY - 2056-08-080S-080S-W (bulkhead tee to bulkhead)	
11	-LV		HOSE ASSEMBLY - 2056-08-080S-080S-W (bulkhead tee to bulkhead)	
12	16297-LV	2	ELBOW, 90 SWIVEL - FF2098T-0808S	
13	52439-LV	2	CONNECTOR, MALE ISO 6149	
14	REF	2	TRACK DRIVE MOTOR	TS


 See referenced page for component or assembly breakdown.

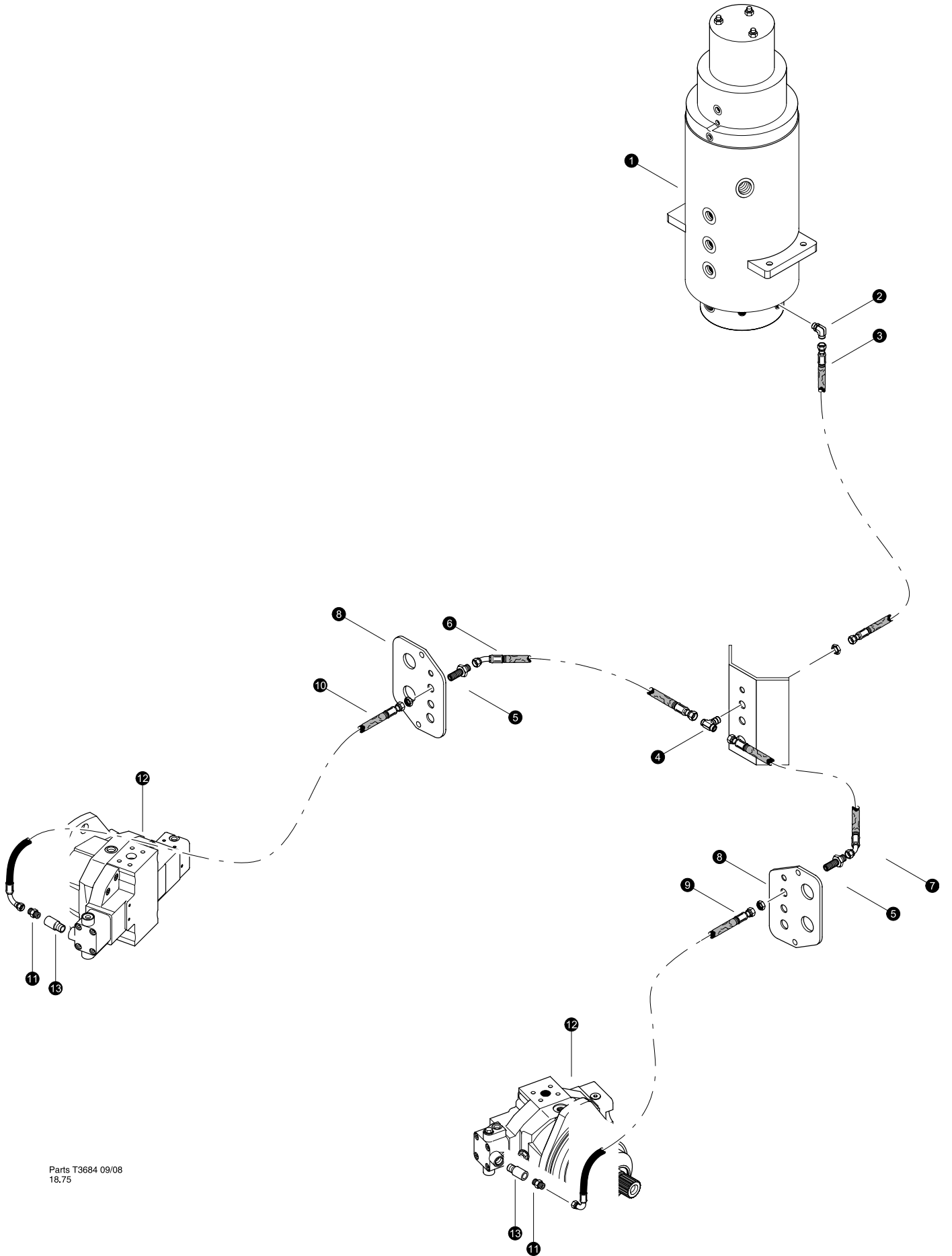


Parts T3683 09/08
18,75

PARKING BRAKE (Rotary Manifold to Track Parking Brake)


REF	PART #	QTY	DESCRIPTION	SEE SECTION
1	REF.	1	 ROTORY MANIFOLD	UP-1
2	16296-LV	1	ELBOW, 90 - FF1868T-0606S	
3	-LV	1	HOSE ASSEMBLY - 2044-06-060S-060S-W (bulkhead tee to rotary manifold port 7)	
4	52902-LV	1	BULKHEAD, BRANCH TEE - 6	
5	50420-LV	2	CONNECTOR, STR BULKHEAD - 832-TT-06	
6	-LV	1	HOSE ASSEMBLY - 2019.5-06-060S-0604-W (bulkhead tee to bulkhead)	
7	-LV	1	HOSE ASSEMBLY - 2019.5-06-060S-0604-W (bulkhead tee to bulkhead)	
8	REF		BULKHEAD PLATE	LV-3-1,2
9	-LV	1	HOSE ASSEMBLY - 2077-06-060S-0609-W (bulkhead tee to track motor)	
10	-LV	1	HOSE ASSEMBLY - 2077-06-060S-0609-W (bulkhead tee to track motor)	
11	53124-LV	2	FITTING, MALE CONNECTOR ISO 6149	
12	REF	2	TRACK DRIVE MOTOR	TS

 See referenced page for component or assembly breakdown.




Parts T3684 09/08
18.75

Motor Flushing Return (Rotary Manifold to Track Motor Flushing Return)

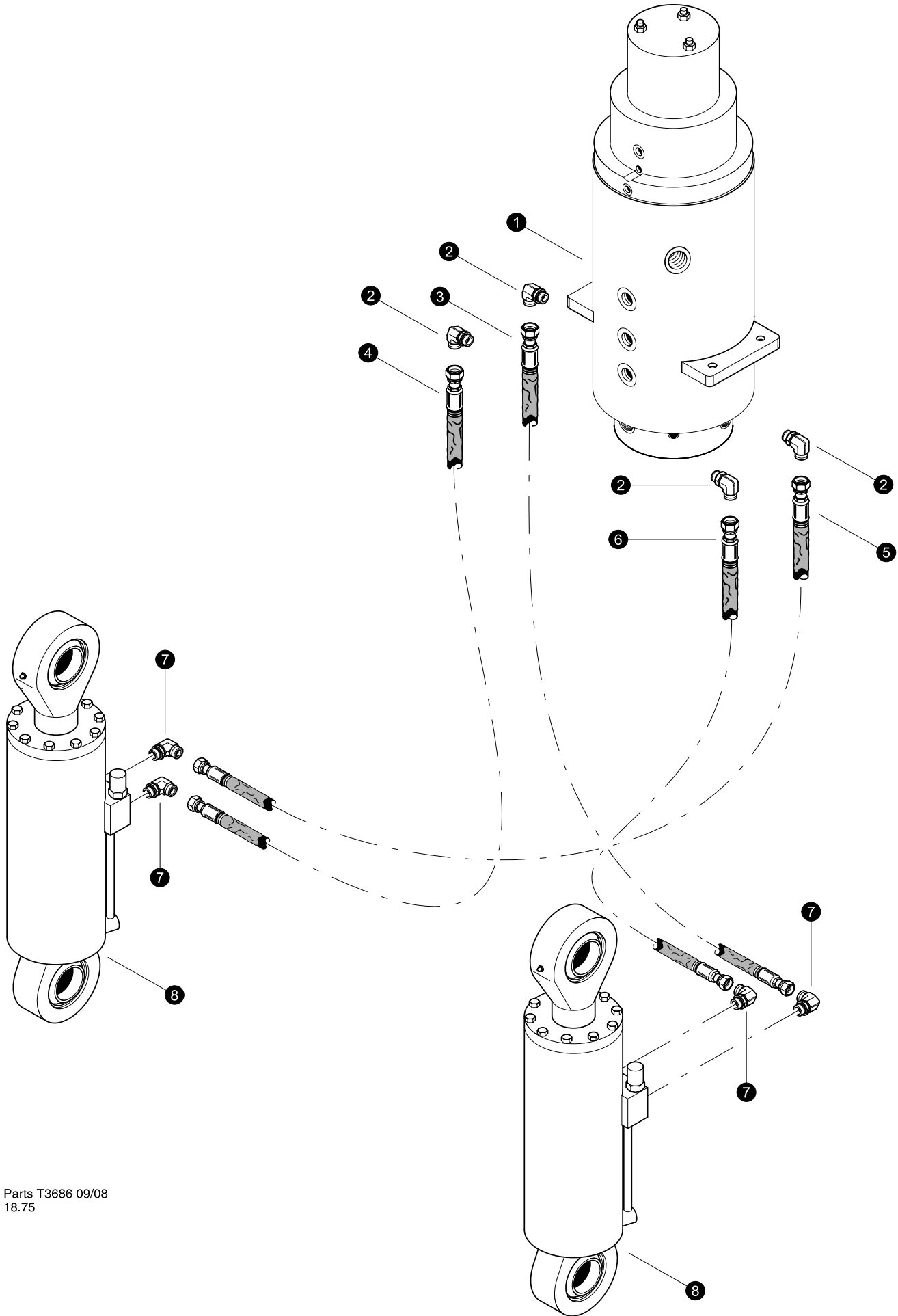
REF	PART #	QTY	DESCRIPTION	SEE SECTION
1	REF.	1	 ROTORY MANIFOLD	UP-1
2	16296-LV	1	ELBOW, 90 - FF1868T-0606S	
3	-LV	1	HOSE ASSEMBLY - 2044-06-060S-060S-W (bulkhead tee to rotary manifold port 1)	
4	52902-LV	1	BULKHEAD, BRANCH TEE - 6	
5	50420-LV	2	CONNECTOR, STR BULKHEAD - 832-TT-06	
6	-LV	1	HOSE ASSEMBLY - 2019.5-06-060S-0604-W (bulkhead tee to bulkhead)	
7	-LV		HOSE ASSEMBLY - 2019.5-06-060S-0604-W (bulkhead tee to bulkhead)	
8	REF		BULKHEAD PLATE	LV-3-1,2
9	-LV	1	HOSE ASSEMBLY - 2078-06-060S-0609-W (bulkhead tee to track motor)	
10	-LV		HOSE ASSEMBLY - 2078-06-060S-0609-W (bulkhead tee to track motor)	
11	18034-LV	2	CONNECTOR, STR - FF1852T-0606S	
12	REF	2	TRACK DRIVE MOTOR	TS
13	53651-LV	2	FITTING, FLUSHING ORIFICE - TRACK MOTOR	

 See referenced page for component or assembly breakdown.

Track Motor Shift (Rotary Manifold to Track Motor Shift)



REF	PART #	QTY	DESCRIPTION	SEE SECTION
1	REF.	1	 ROTORY MANIFOLD	UP-1
2	16540-LV	1	ELBOW, 90 - FF1868T-0404S	
3	-LV	1	HOSE ASSEMBLY - 2043-04-040S-040S-W (bulkhead tee to rotary manifold port 3)	
4	52901-LV	1	BULKHEAD, BRANCH TEE - 4	
5	18582-LV	2	CONNECTOR, STR BULKHEAD - FF1994T-0404S	
6	-LV	1	HOSE ASSEMBLY - 2020-04-040S-0404-W (bulkhead tee to bulkhead)	
7	-LV		HOSE ASSEMBLY - 2020-04-040S-0404-W (bulkhead tee to bulkhead)	
8	REF		BULKHEAD PLATE	LV-3-1,2
9	-LV	1	HOSE ASSEMBLY - 2054-04-040S-0404-W (bulkhead tee to track motor)	
10	-LV		HOSE ASSEMBLY - 2054-04-040S-0404-W (bulkhead tee to track motor)	
11	17023-LV	2	ELBOW, 90 SWIVEL - 6500-4	
12	REF	2	TRACK DRIVE MOTOR	TS
13	15124-LV	2	CONNECTOR, STR - FF1852T-0406S	


 See referenced page for component or assembly breakdown.

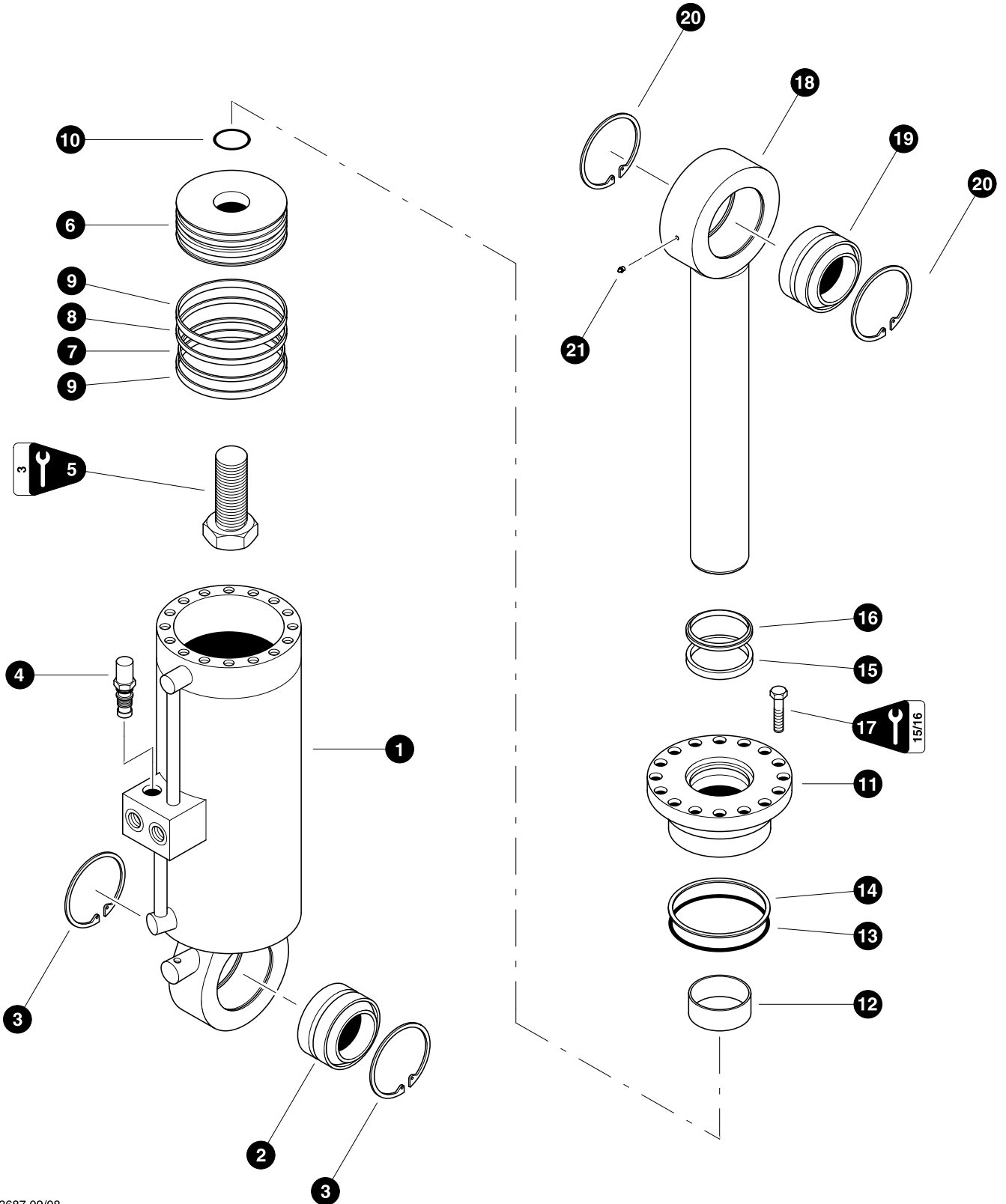


Parts T3686 09/08
18.75

LEVELING HYDRAULICS (Leveling Manifold to Leveling Cylinders)

REF	PART #	QTY	DESCRIPTION	SEE SECTION
1	REF.	1	 ROTORY MANIFOLD	UP-1
2	16360-LV	4	ELBOW, 90 - FF1868T-0808S	
3	-LV	1	HOSE ASSEMBLY - 4050-08-080S-0804-W (rotary manifold #2. to right cylinder base)	
4	-LV	1	HOSE ASSEMBLY - 4050-08-080S-0804-W (rotary manifold #6. to left cylinder base)	
5	-LV	1	HOSE ASSEMBLY - 4050-08-080S-0804-W (rotary manifold #4. to left cylinder rod)	
6	-LV	1	HOSE ASSEMBLY - 4050-08-080S-0804-W (rotary manifold #5. to right cylinder rod)	
7	16360-LV	4	ELBOW, 90 - FF1868T-0808S	
8	REF	2	 LEVELING CYLINDER	LV-3

 See referenced page for component or assembly breakdown.



Parts T3687 09/08
18.75

LEVELING CYLINDER BREAKDOWN

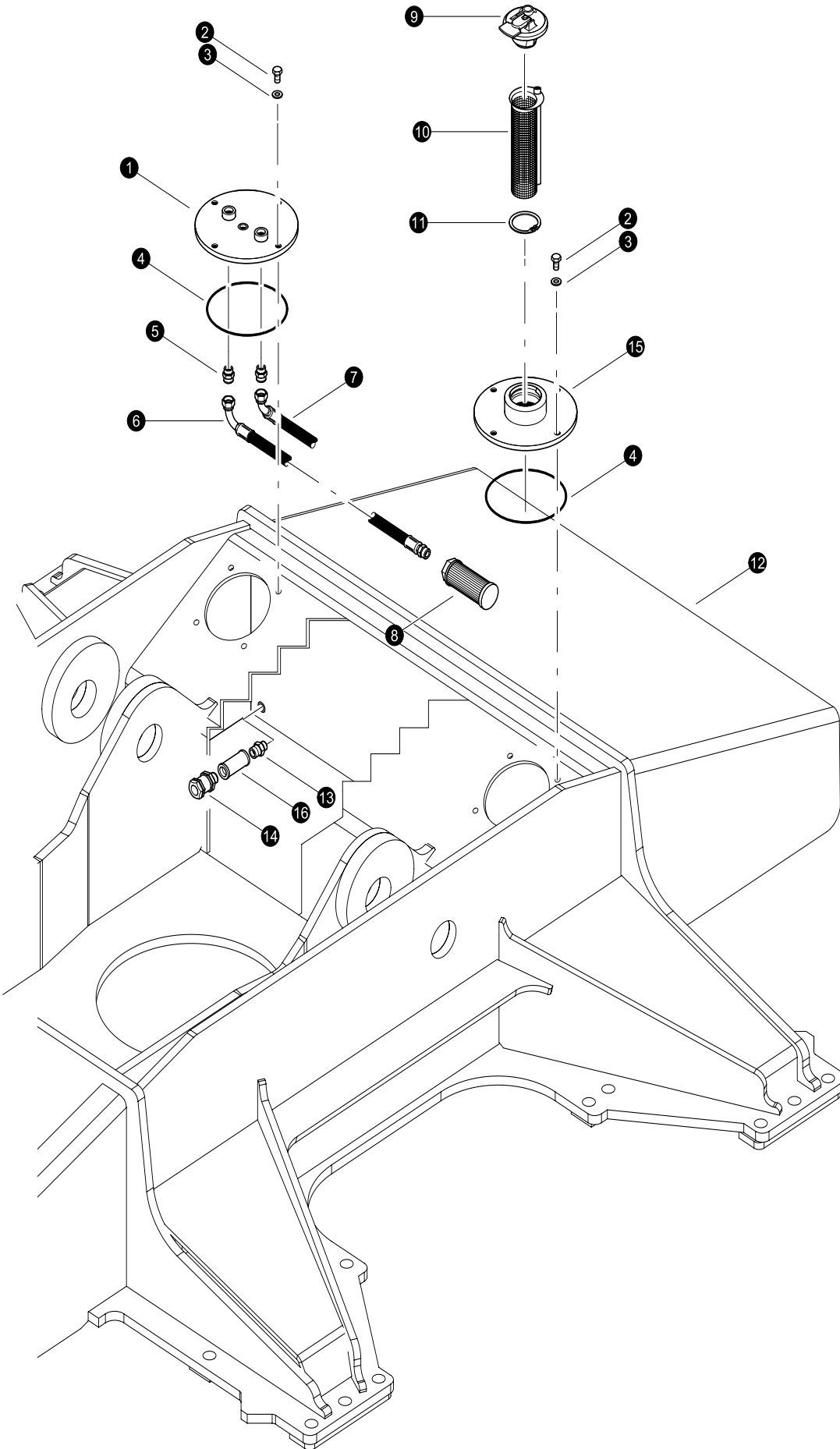
REF	PART #	QTY		DESCRIPTION	SEE SECTION
-	52512-LV	1	☐	CYLINDER, LEVEL - 6.5X16" TRACK MACH	
1	54087-LV	1	☐	BARREL ASSEMBLY (203421B)	
2	54105-LV	1		BUSHING, spherical- 3.25"	
3	-LV	2		RING, snap - 3" spherical bushing	
4	-LV	2		CARTRIDGE, holding	
5	-LV	1		BOLT, cylinder rod - 2" x 4-1/4" (2700 +/- 200 ft.lbs. (3600 +/- 265 Nm)) (711181A)	
6	54070-LV	1	☐	PISTON (400556B)	
7	NSS	1	◆	RING, piston square	
8	NSS	1	◆	RING, piston chem-cast	
9	NSS	2	◆	RING, piston wear	
10	NSS	1	◆	O-RING, piston	
11	54072-LV	1	☐	BEARING, rod assembly (5000697B)	
12	NSS	1	◆	WIPER, rod	
13	NSS	1	◆	O-RING, rod bearing	
14	NSS	1	◆	RING, rod bearing back-up	
15	NSS	1	◆	U-CUP, rod bearing	
16	NSS	1	◆	RING, rod bearing wear	
17	19956-LV	16		BOLT - 5/8" x 2-1/4" (175ft.lbs (233 Nm)) (711034A)	
18	54069-LV	1	☐	ROD ASSEMBLY (302111B)	
19	54105-LV	1		BUSHING, spherical - 3.25"	
20	-LV	2		RING, snap - 3" spherical bushing	
21	-LV	1		FITTING, grease	

☐ Kit or Assembly - includes all items indented underneath.

◆ Included in seal repair kit Part # 53641-LV


Section LV-4


Leveling Frame - Fuel Tank Components

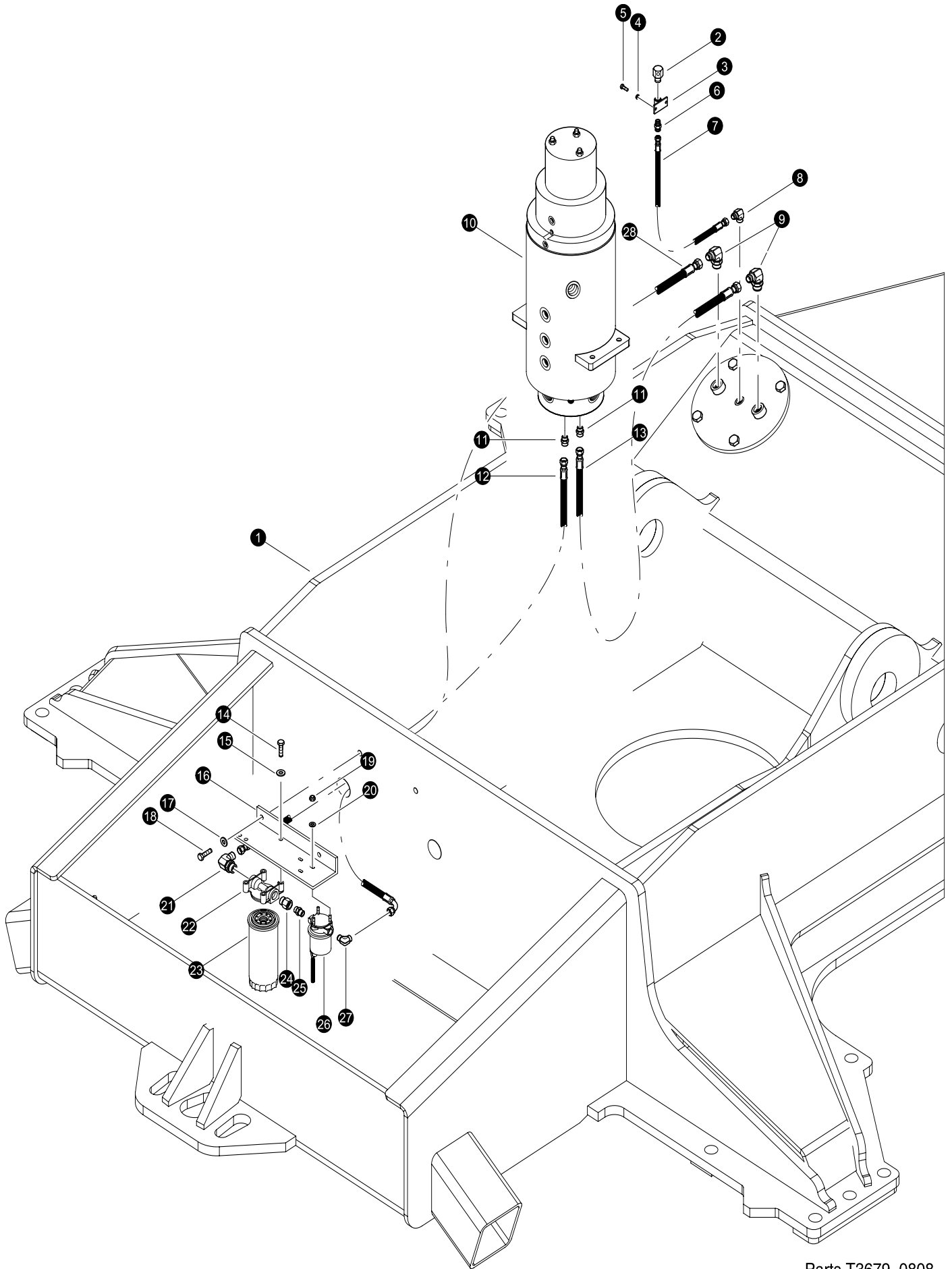


Parts T3678 0808
18.75

FUEL FILL STRAINER INSTALLATION



REF	PART #	QTY	DESCRIPTION	SEE SECTION
1	53203-LV	1	COVER, fuel tank	
2	10783-LV	4	BOLT - 1/2" x 1"	
3	15534-LV	4	WASHER, SAE flat - 1/2"	
4	15600-LV	1	O-RING - 8"	
5	15117-LV	2	CONNECTOR, STR - FF1852T-0808S	
6	-LV	1	HOSE ASSEMBLY - 2030-08-080S-08MP (Fuel supply)	
7	-LV	1	HOSE ASSEMBLY - 2020-08-0804 (Fuel return)	
8	17271-LV	1	FILTER, screen	
9	16585-LV	1	CAP, FUEL - LOCKING	
10	17114-LV	1	STRAINER, FUEL SYSTEM	
11	17115-LV	1	RING, snap - fuel strainer retainer	
12	REF.	1	 LEVELING FRAME WELDMNT	LV-1
13	53107-LV	1	CONNECTOR, STR - 1/2 X 3/8 FF-S	
14	53885-LV	1	VALVE, CHECK - FUEL TANK (replaces 15652)	
15	14079-LV	1	COVER, fuel tank	
16	16320-LV	1	COUPLING, PIPE - .5"	

 See referenced page for component or assembly breakdown.



Parts T3679 0808
18.75

FUEL SUPPLY SYSTEM

REF	PART #	QTY	DESCRIPTION	SEE SECTION
1	REF.	1	 LEVELING FRAME WELDMENT	LV-1
2	54218-LV	1	BREATHER, fuel vent	
3	12222-LV	1	BRACKET, GAUGE/VENT MOUNT	
4	10757-LV	2	WASHER, SAE flat - 1/4"	
5	15604-LV	2	BOLT - .25" X .75"	
6	15131-FF	1	CONNECTOR, straight - FF2031T-0404S	
7	-LV	1	HOSE ASSEMBLY - 2085-04-04OS-04OS (Fuel Vent)	
8	15505-LV	1	ELBOW, 90 - FF2032T-0404S	
9	53145-LV	2	FITTING, 6-8 C50X-S - JIC	
10	REF.	1	 ROTARY MANIFOLD	UP-1
11	18034-LV	2	CONNECTOR, STR - FF1852T-0606S	
12	-LV	1	HOSE ASSEMBLY - 2060-06-06JS-06JS (Fuel filter outlet to RMFS)	
13	-LV	1	HOSE ASSEMBLY - 2084-06-06JS-06JS (RMFR to Fuel Tank Return)	
14	11707-LV	2	BOLT - .375" X 1"	
15	15528-LV	4	WASHER, SAE flat - 3/8"	
16	53197-LV	1	BRACKET, FUEL PUMP/FILTER T/M	
17	15528-LV	4	WASHER, SAE flat - 3/8"	
18	11707-LV	2	BOLT - .375" X 1"	
19	10755-LV	3	NUT, hex - 1/4"	
20	10757-LV	3	WASHER, SAE flat - 1/4"	
21	53073-LV	1	ELBOW, 90 6-JIC X 10-ORB)	
22	16574-LV	1	MOUNT, filter head	
23	16575-LV	1	FILTER, spin-on fuel	
24	19290-LV	1	BUSHING, REDUCER - 6410-10-8	
25	51982-LV	1	CONNECTOR, STR - (8-3/8 F50F-S)	
26	21966-LV	1	PUMP, fuel - 12 volt	
27	16882-LV	1	ELBOW, 90 - 849-FSO-6X6	
28	-LV	1	HOSE ASSEMBLY - 2086-06-06JS-06J9 (Fuel Tank Supply to Fuel Pump)	

 See referenced page for component or assembly breakdown.

